



Hana Printing House

Address : 51-25, Taejeonro, Dong-gu, Daejeon, 34624, Republic of Korea

Phone : 82-42-631-7369

Fax : 82-42-632-7369

E-mail : heegun1@hotmail.com (English) hanaprint1@naver.com (Korean)

Web site : <http://hanaprint.co.kr>

**With our high quality envelope, your Lens can strive to be distinguished
among your competitors.**



● Specialist of Lens Envelope

- ▶ Thank you for your interest and patronage. Hana Printing House has been serving the optical industry for over 20 years and now our company provides over 50 optical laboratories, manufacturers and distributors with optical packaging supplies over world wide.

We welcome the opportunity to fulfill your packaging needs and help you to solve your packaging problems. We are sure that our outstanding designs and quality make your products be distinguished among your competitors. If you need any other information in reviewing this catalogue, please call us, or e-mail, and we'll be happy to assist you. Hopefully, this will be the first step of our long-lasting prosperous relationship.

● Production Capacity

- ▶ 8,000,000pcs normal type envelopes + 2,000,000pcs expandable type envelopes per a month.

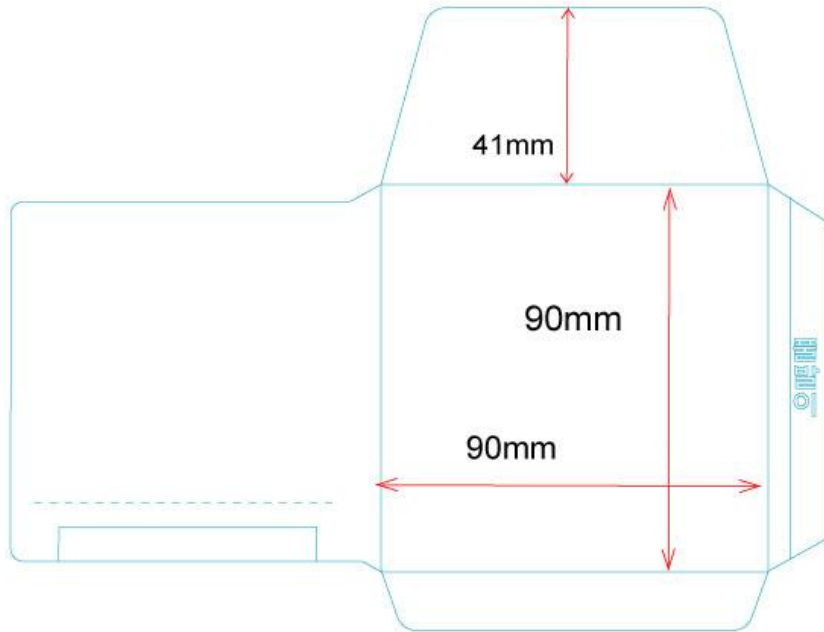
● State of Equipments

- ▶ 1. Offset Printing Machine
- ▶ 2. Exposing Printer(making printing plates)
- ▶ 3. Tomson Machine(cutting paper as per envelope form)
- ▶ 4. Liner Machine(pasting liner paper)
- ▶ 5. Normal type Envelope machine
- ▶ 6. Expandable type Envelope machine
- ▶ 7. Hot Stamping Machine
- ▶ 8. Packing Machine(packing envelope)

● Specification

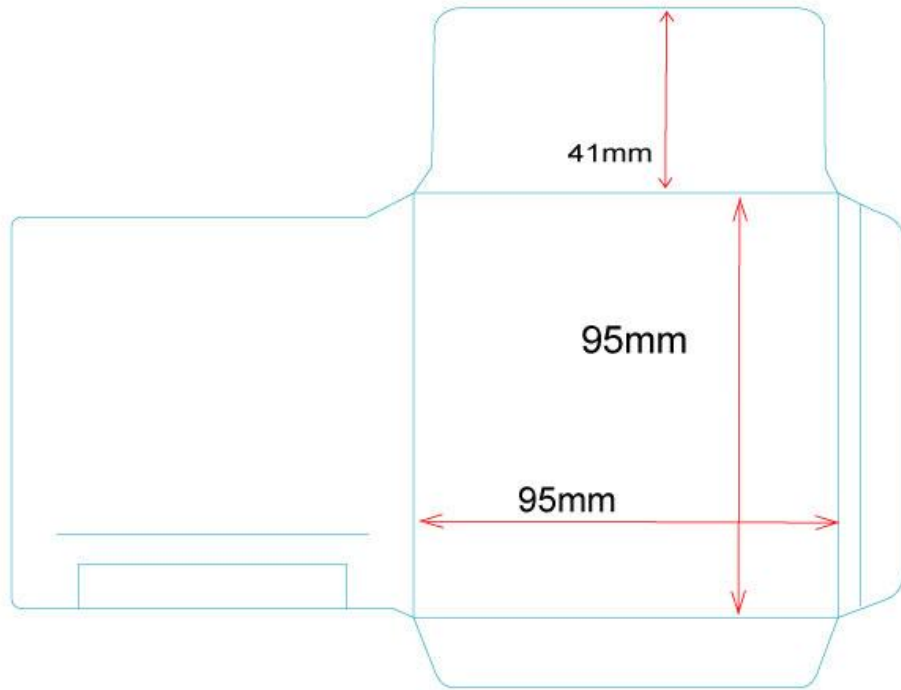
- Designed for automatic bagging lines even robot assisted.
- The inside touching the lens is lined with a scratchproof paper.
- 100 % recyclable to safeguard the environment.
- Four color offset printing or in a selected color, to become a strong communication tool for the consumer and a service guarantee.

● 90*90mm(cover 41 mm) with liner



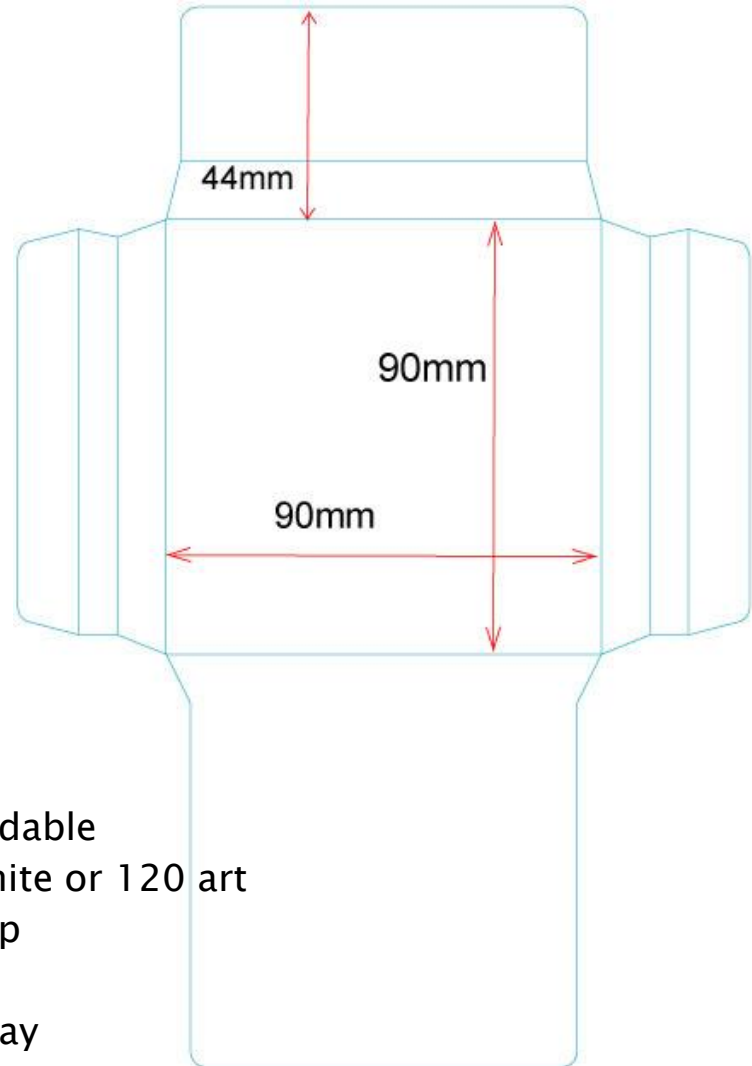
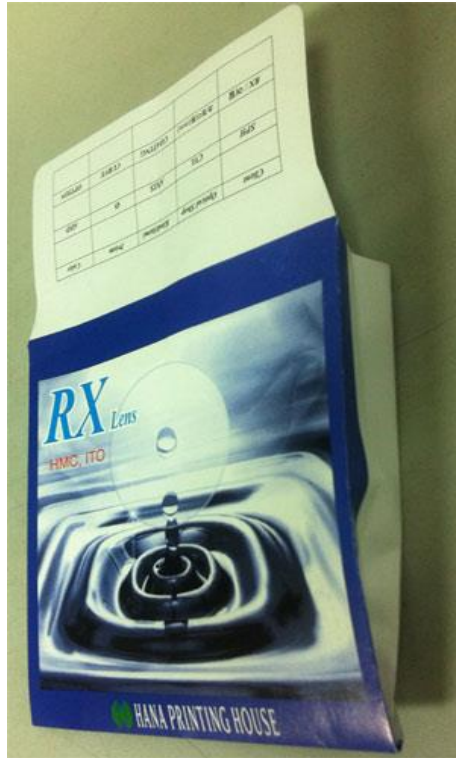
- ▶ Size : 90*90mm(cover 41mm)
- ▶ material : 1. envelope – 120 snow white or 120 art
- ▶ 2. liner – natural wood pulp
- ▶ Minimum quantity : 15,000 pcs
- ▶ Production time : 100,000 pcs per a day
- ▶ Price : Non printed (white envelope) – **USD \$0.017 per each.**
Printed (color envelope) – **USD \$0.019 per each.**

● 95*95mm(cover 41 mm) with liner



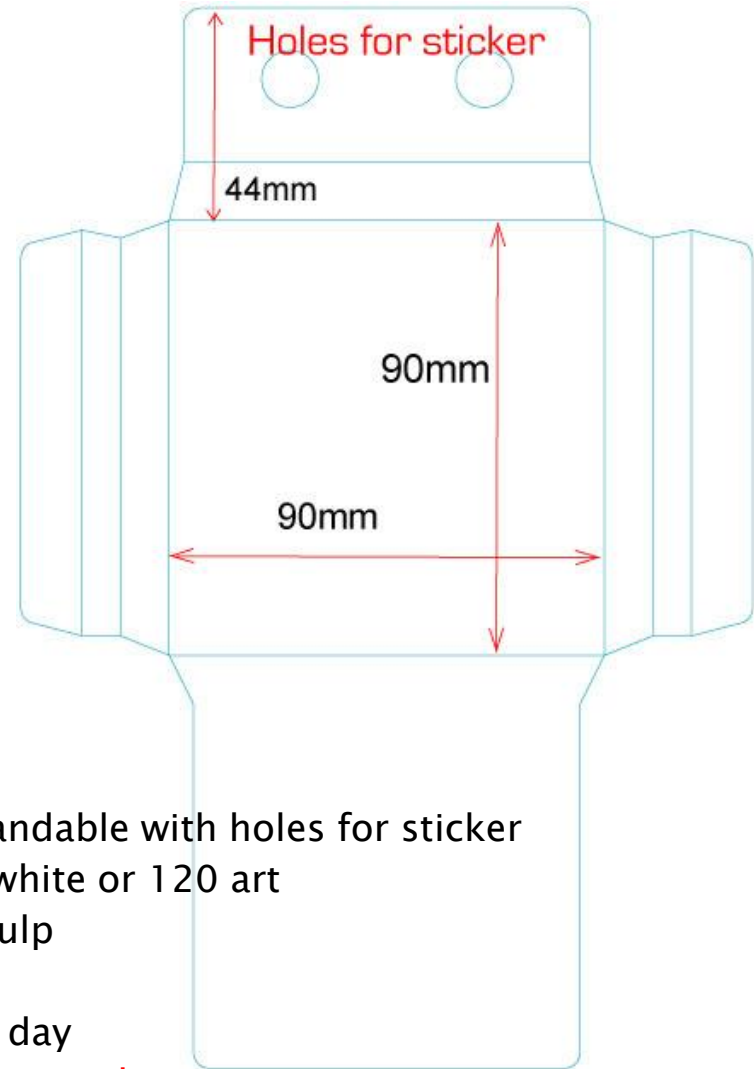
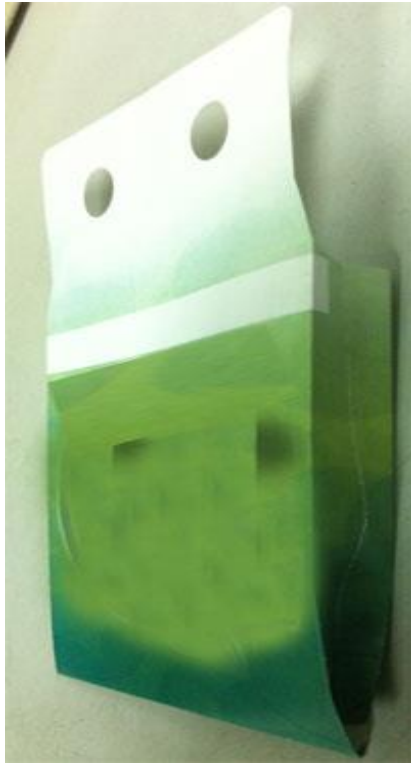
- ▶ Size : 95*95mm(cover 41 mm)
- ▶ material : 1. envelope – 120 snow white or 120 art
- ▶ 2. liner – natural wood pulp
- ▶ Minimum quantity : 12,000 pcs
- ▶ Production time : 100,000 pcs per a day
- ▶ Price : Non printed (white envelope) – **USD \$0.019 per each.**
Printed (color envelope) – **USD \$0.021 per each.**

● 90*90mm(cover 44mm) expandable with liner



- ▶ Size : 90*90mm(cover 44mm) expandable
- ▶ material : 1. envelope – 120 snow white or 120 art
- ▶ 2. liner – natural wood pulp
- ▶ Minimum quantity : 12,000 pcs
- ▶ Production time : 60,000 pcs per a day
- ▶ Price : : Non printed (white envelope) – USD \$0.026 per each.
Printed (color envelope) – USD \$0.028 per each.

● 90*90mm(cover 44mm) expandable with liner & Holes



- ▶ Size : 90*90mm(cover 44mm) expandable with holes for sticker
- ▶ material : 1. envelope – 120 snow white or 120 art
- ▶ 2. liner – natural wood pulp
- ▶ Minimum quantity : 12,000 pcs
- ▶ Production time : 60,000 pcs per a day
- ▶ Price : Non printed – **USD \$0.029 per each.**
printed – **USD \$0.033 per each.**